

Jacking



WARNING: Never run the engine with one wheel off the ground, such as when changing a tire. The wheel still on the ground could cause the vehicle to move.



CAUTION: The jack (17080) provided with the vehicle is intended to be used in an emergency for changing a deflated tire. To avoid damage to the vehicle, never use the jack to lift the vehicle for any other purpose. Refer to the Owner Guide when using the jack supplied with the vehicle.



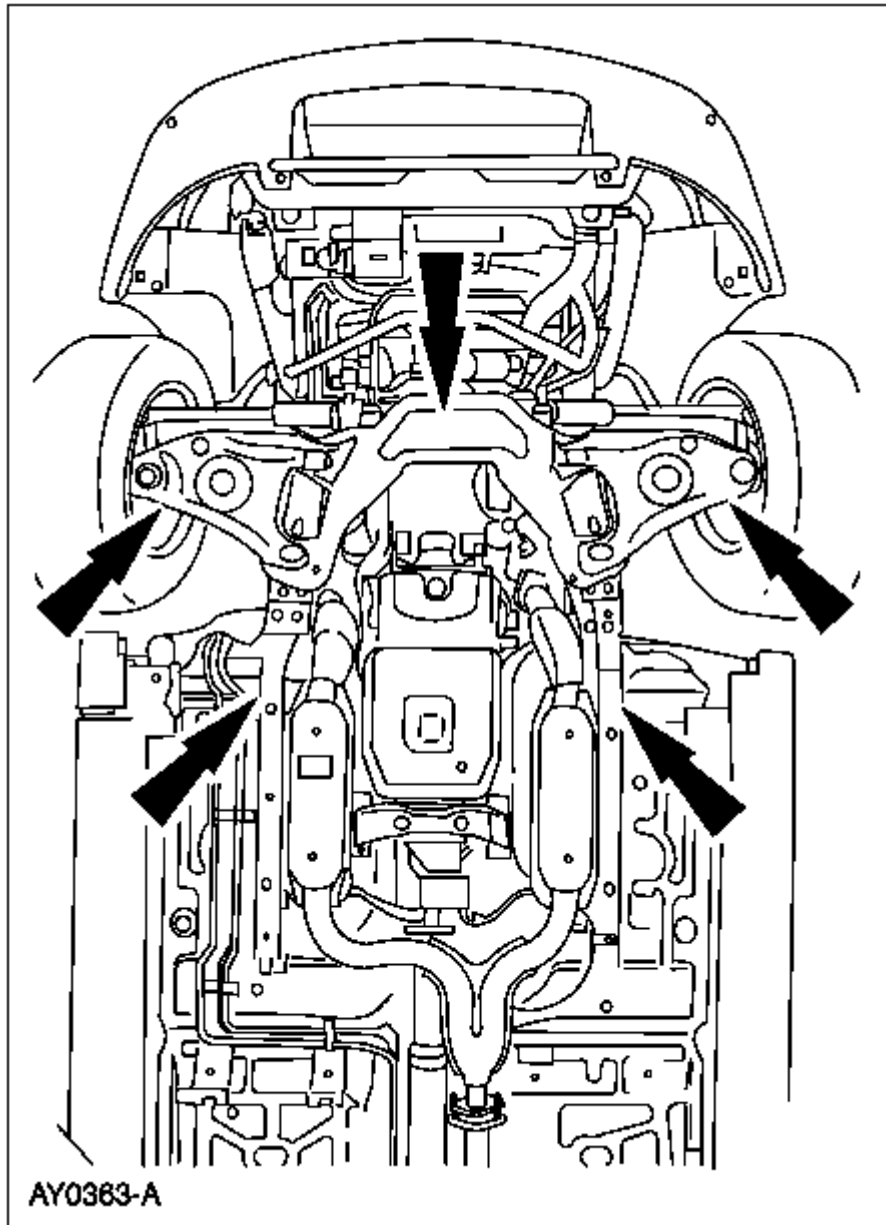
CAUTION: Under no circumstances should the vehicle ever be lifted by the suspension arm brackets, rear stabilizer or differential housing or convertible cross brace. Severe damage to the vehicle could result.



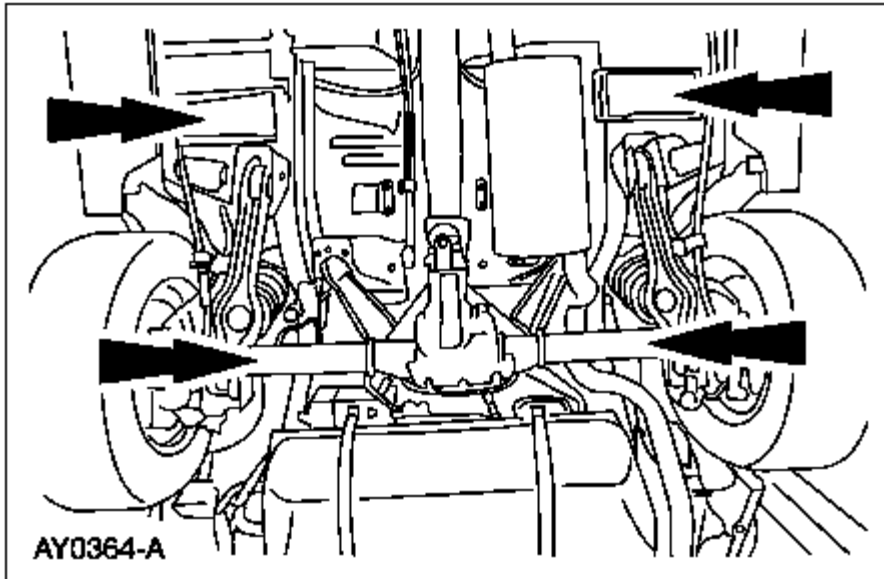
CAUTION: Do not attempt to use jack pressure on either the front bumper (17757) or the rear bumper (17906) of any vehicle. Damage to the bumper covers will occur.

Lift the vehicle using the Jacking Points procedure in this section.

Jacking Points



To lift the front or either side of the front end, position the floor jack under the front frame lift points.



To lift the rear or either side of the rear end, position the floor jack under the rear lift points.
